



Part of Scanel International

Address: Ryggeraet 49
N-1580 Rygge

Tel: +47 6923 6000
Fax: +47 6923 6009

E-mail: post@sgen.no



4W Globe Led bulb

Specification for 4W Globe LED bulb:

- Equivalent to a 25W white incandescent bulb
- The color temperature is steady and uniform
- Long lasting
- Not dimmable/waterproof

Model:	4W LED bulb	Brightness:	160 Lumen (+/-10 %)
Power consumption:	4W	Lifetime:	30.000 hours
Voltage:	90-240VAC	Shelf:	E27
Color of the glass:	Opal/frosted	Operating temperature:	-20°C ~ 40°C
Color temperature:	2700° (-100 K/+200 K)	Dimension:	Height 98mm, diameter 50mm
Color reproduction:	>90		

CE/RoHS approved

Product/Order no.

UTTL-0604L

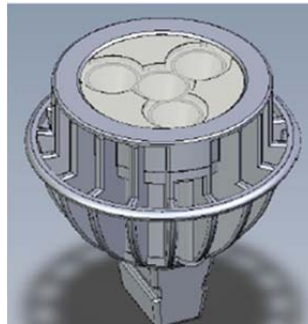


Part of Scanel International

Address: Ryggeraet 49
N-1580 Rygge

Tel: +47 6923 6000
Fax: +47 6923 6009

E-mail: post@sgen.no



6W GU5.3/MR16 30° LED Bulb

Specification for 6W GU5.3/MR16 30° LED Bulb:

- Equivalent to a 25W halogen
- The color temperature is steady and uniform
- Long lasting
- Dimmable at DC/not waterproof

Model:	6W GU5.3/MR16 30° LED bulb	Brightness:	210 Lumen (+/-10 %)
Power consumption:	6W	Lifetime:	30.000 hours
Voltage:	AC/DC 12V	Shelf:	GU5.3/MR16
Color of the glass:	Opal/frosted	Operating temperature:	-20 °C~40 °C
Color temperature:	2700° (-100 K/+200 K)	Dimension:	Height 56mm, diameter 50mm
Color reproduction:	>90		

CE/RoHS approved

Product/Order no.

UTTL-0206L



Part of Scanel International

Address: Ryggeraet 49
N-1580 Rygge

Tel: +47 6923 6000
Fax: +47 6923 6009

E-mail: post@sgen.no



4W (plan) LED bulb

Specification for 4W (plan) LED bulb:

- Equivalent to a 25W white incandescent bulb
- The color temperature is steady and uniform
- Long lasting
- Not dimmable/waterproof

Model:	4W LED bulb	Brightness:	160 Lumen (+/-10 %)
Power consumption:	4W	Lifetime:	30.000 hours
Voltage:	90-240VAC	Shelf:	E14
Color of the glass:	Opal/frosted	Operating temperature:	-20°C~40°C
Color temperature:	2700° (-100°K/+200°K)	Dimension:	Height 79mm, diameter 37mm
Color reproduction:	>90		

CE/RoHS approved

Product/Order no.

UTTL-0704L



Part of Scanel International

Address: Ryggeraet 49
N-1580 Rygge

Tel: +47 6923 6000
Fax: +47 6923 6009

E-mail: post@sgen.no



6W GU10/MR16 30° LED bulb

Specification for 6W GU10/MR16 30° LED bulb:

- Equivalent to a 25W halogen
- The color temperature is steady and uniform
- Long lasting
- Dimmable/Not waterproof

Model:	6W GU10/MR16 30° LED bulb	Brightness:	210 Lumen (+/-10%)
Total power consumption:	6W	Lifetime:	30.000 hours
Voltage:	100-240VAC	Shelf:	GU10/MR16
Color of the glass:	Opal/frosted	Operating temperature:	-20°C~40°C
Color temperature:	2700° (-100°K/+200°K)	Dimension:	Height 56mm, diameter 50mm
Color reproduction:	>90		

CE/RoHS approved

Product/order no.

UTTL-0806L



Part of Scanel International

Address: Ryggeraet 49
N-1580 Rygge

Tel: +47 6923 6000
Fax: +47 6923 6009

E-mail: post@sgen.no



7W LED bulb

Specification for 7W LED bulb:

- Equivalent to a 40W white incandescent bulb
- The color temperature is steady and uniform
- Long lasting
- Not dimmable/waterproof

Model:	7W LED Bulb	Brightness:	300 Lumen (+/-10%)
Total power consumption	7W	Lifetime:	30.000 hours
Voltage:	90-240V	Shelf:	E27
Color of the glass:	Opal/frosted	Operating temperature:	-20°C~40°C
Color temperature:	2700° (-100°K/+200°K)	Dimension:	Height 113mm, diameter 59mm
Color reproduction:	>90		

CE/RoHS approved

Product/order no.

UTTL-0907L



Part of Scanel International

Address: Ryggeraet 49
N-1580 Rygge

Tel: +47 6923 6000
Fax: +47 6923 6009

E-mail: post@sgen.no



13W LED Spot 35°

Specification for 13W LED Spot 35°:

- Equivalent to a 75W basic incandescent bulb
- The color temperature is steady and uniform
- Long lasting
- Not dimmable/waterproof

Model:	7W LED bulb	Brightness:	500 Lumen (+/-10%)
Total power consumption:	7W	Lifetime:	30.000 hours
Voltage:	90-240V	Shelf:	E27
Color of the glass:	Opal/frosted	Operating temperature:	-20°C~40°C
Color temperature:	2700° (-100°K/+200°K)	Dimension:	Height 133mm, diameter 93mm
Color reproduction:	>90		

CE/RoHS approved

Product/order no.
UTTL-1013L